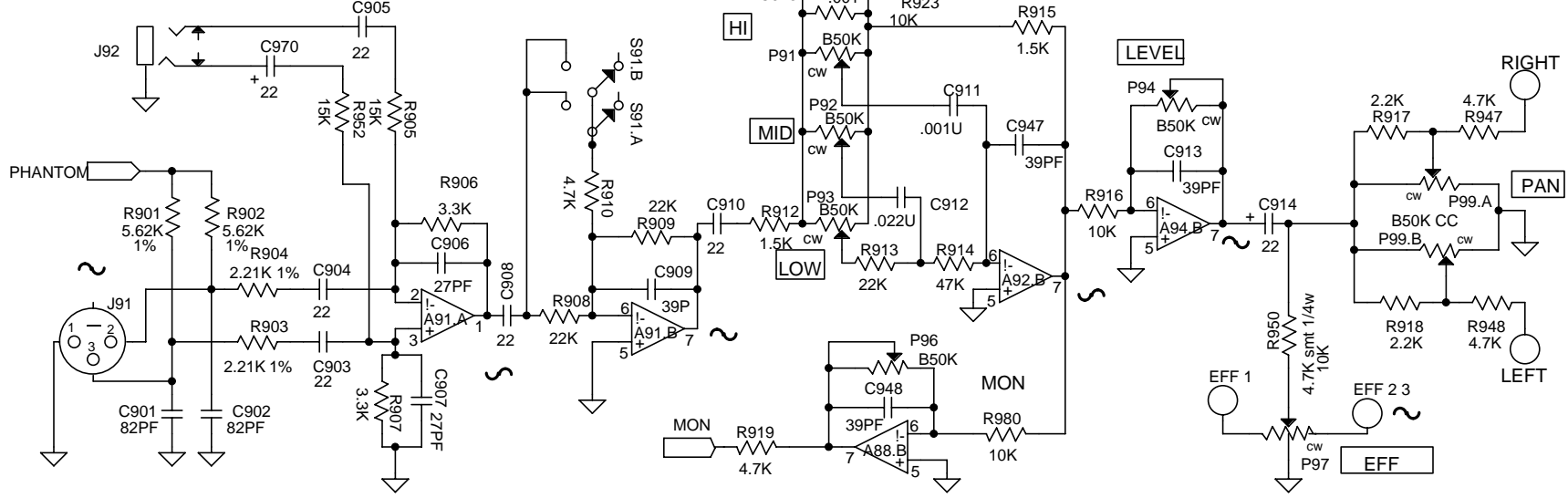
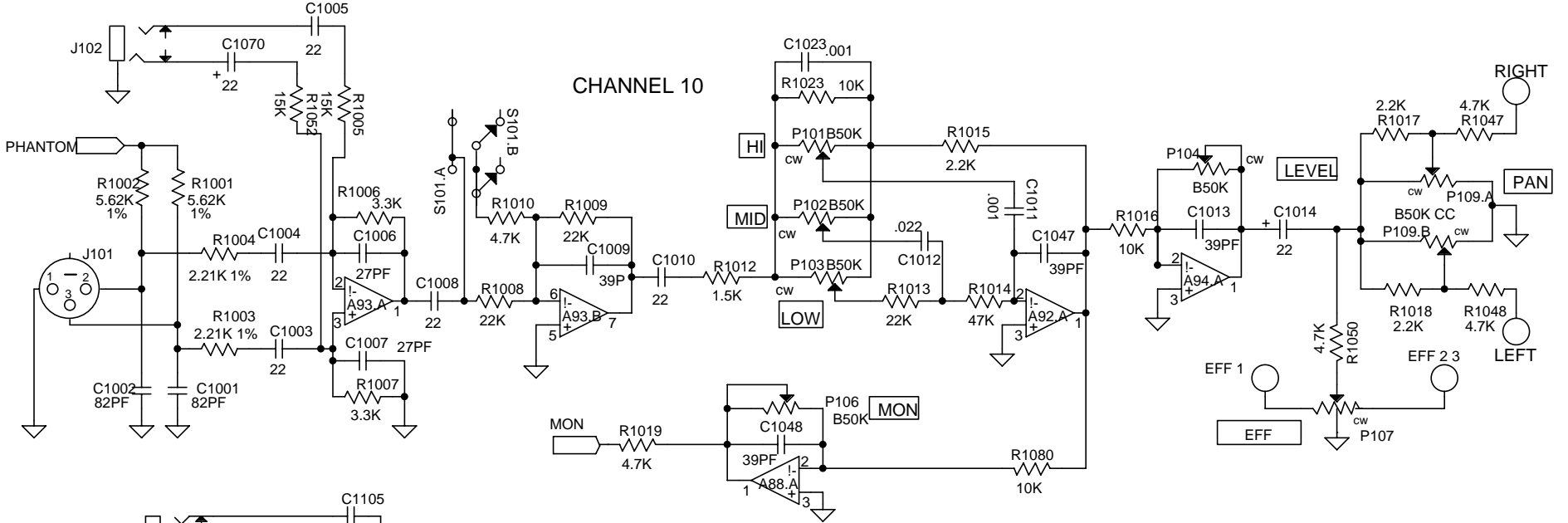


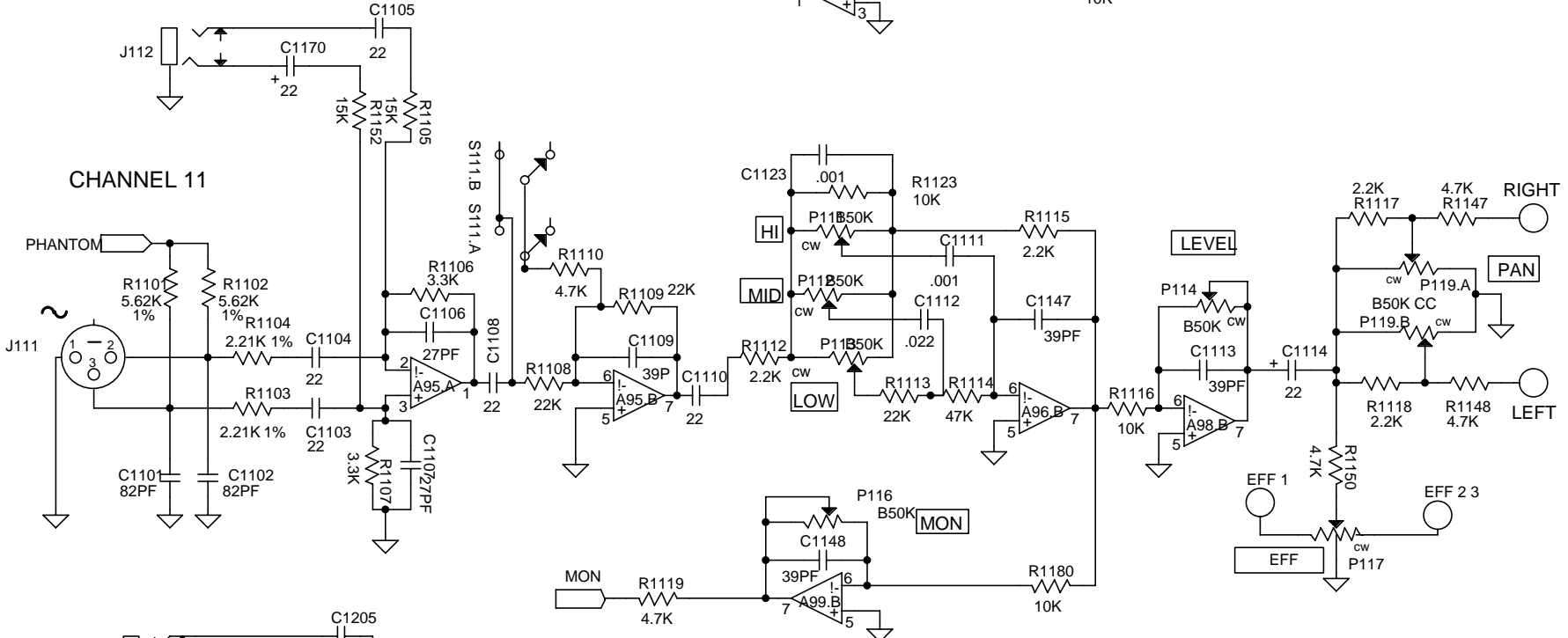
CHANNEL 9-12



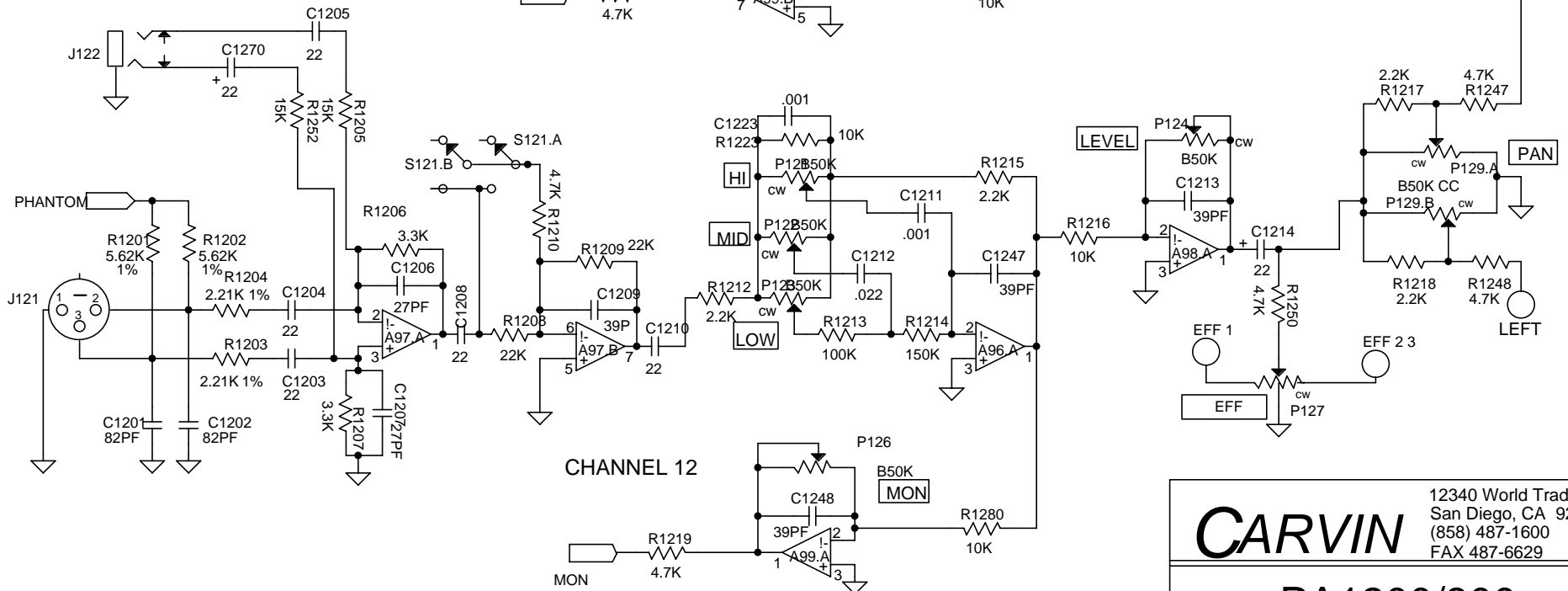
CHANNEL 10



CHANNEL 11



CHANNEL 12



12340 World Trade Drive
 San Diego, CA 92128
 (858) 487-1600
 FAX 487-6629

CARVIN

PA1200/800
 SYSTEM MASTER

DRAWN BY:	DATE:
E. PETERSEN	11DEC00
APPROVED:	DATE:
PCB NO:	REV:
30-12734	C
ASSY. NO:	REV:
80-12734	001
REVISED BY:	DATE:
E. PETERSEN	28MAR00