

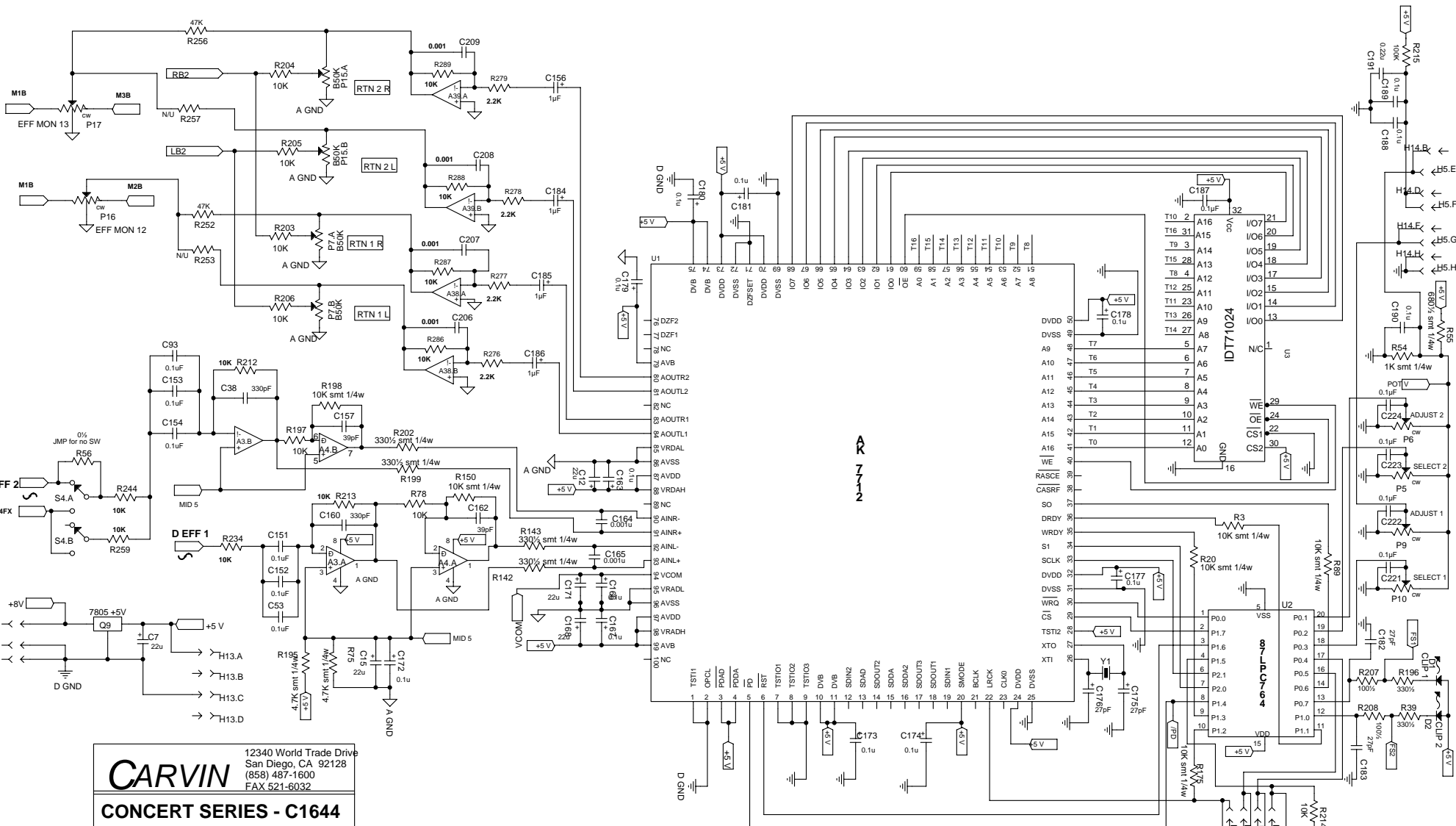
		12340 World Trade Drive	
		San Diego, CA 92128	
<b>CONCERT SERIES - C1644U</b> 4 BUSS MASTER/POWERED/DSPx2/SMT		(858) 487-1600	
		FAX 521-6032	
DRAWN BY:	DATE:		
ERIC PETERSEN	08MAY01		
APPROVED:	DATE:		
PCB NO:	REV:		
30-16444	I		
ASSY. NO:	REV:		
80-16444	I		
REVISED BY:	DATE:		
A. ASHLEY	25FEB07		

ADD R292  
C104 IS 14F not 22uF

#357 #439 #414 #436 STANDOFFS

#215 #390

125 STENCIL HOLES



A  
Z  
Z  
2

<b>CARVIN</b>		12340 World Trade Drive San Diego, CA 92128 (858) 487-1600 FAX 521-6032	
<b>CONCERT SERIES - C1644</b>			
<b>4 BUSS MASTER DUAL DSP - SMT</b>			
DRAWN BY:	ERIC PETERSEN	DATE:	08MAY01
APPROVED:		DATE:	
PCB NO.:	30-16444	REV.:	E
ASSY. NO.:	80-16444	REV.:	E
REVISED BY:	ERIC PETERSEN	DATE:	24JUN02

- CHANGES FROM REV D:
1. REMOVE R56, 57, 209, 211
  2. ADD 0.1 CAPS ON SELECTS

