

CARVIN
Carvin Corp.

12340 World Trade Drive
San Diego, CA 92128
(658) 487-1600
carvin.com

C1648 SERIES MIXER
8 CHANNEL INPUT PCB

DRAWN BY: M.OTAVKA DATE: 17NOV09
APPROVED: DATE:
PCB NO: 30-16482 REV: B
ASSY. NO: 80-16482 REV: B
REVISED BY: E.PETERSEN DATE: 29DEC2009

2

*** REFER TO CHANNEL #1 FOR CORRECT VALUES ***
WIRELESS INPUTS FOR MIXER CH's "1" & "2" ARE ON SCHEMATIC CH's: 7 & 8.

5

*** REFER TO CHANNEL #1 FOR CORRECT VALUES ***

6

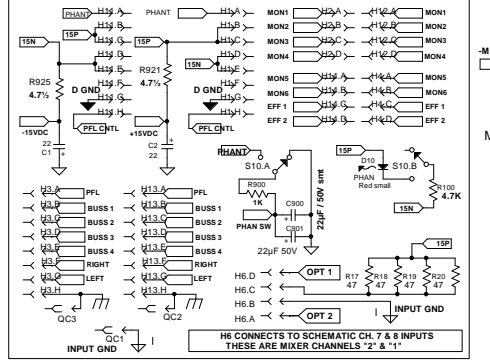
*** REFER TO CHANNEL #1 FOR CORRECT VALUES ***

7

*** REFER TO CHANNEL #1 FOR CORRECT VALUES ***

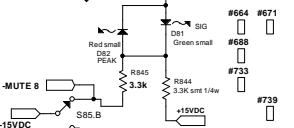
8

*** REFER TO CHANNEL #1 FOR CORRECT VALUES ***



"CH 2" WIRELESS INPUT

"CH 1" WIRELESS INPUT



#664 #671
#658
#733
#739