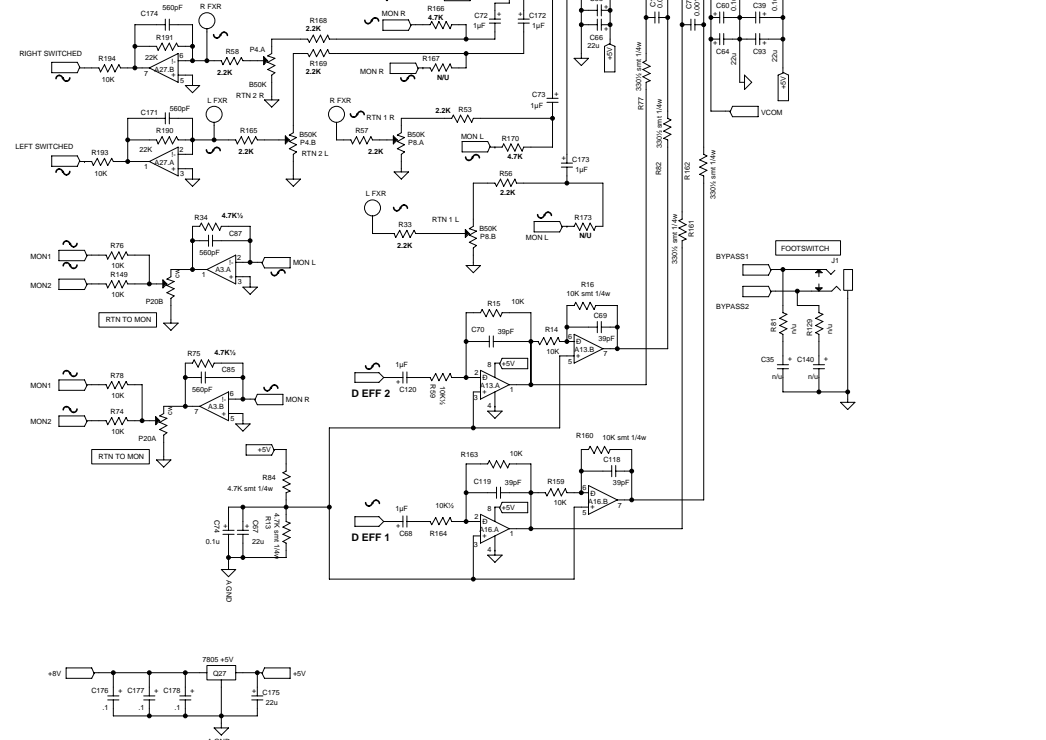
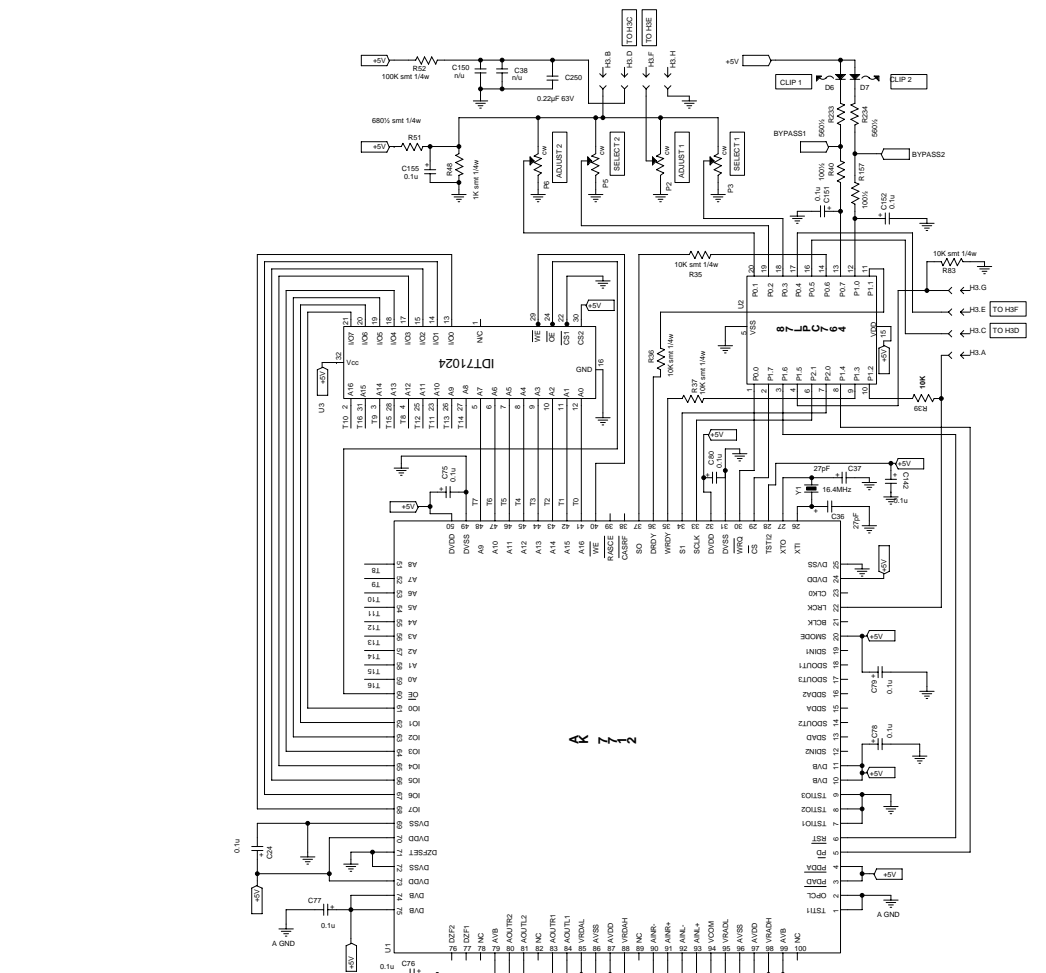


7. THE PCB AND ASSY NUMBER FOR REV A WAS 30-12744 AND 80-12744.
 6. A12 IS TYPE 4565 OP AMP.
 5. A11 IS TYPE 2043 OP AMP.
 4. ALL RESISTORS IN OHMS.
 3. ALL CAPACITORS IN MICROFARADS, EXCEPT AS NOTED
 2. ALL DIODES ARE TYPE 1N4003 EXCEPT AS NOTED.
 1. ALL GROUNDS ARE Ⓞ EXCEPT AS NOTED.
- NOTES: UNLESS OTHERWISE SPECIFIED**



REV D CHANGES: GRAPHIC EQ PARTS REDUCED / RELOCATED

CARVIN
RX800
SYSTEM MASTER

DRAWN BY:	A. ASHLEY	DATE:	1JUN04
APPROVED:		DATE:	
PCB NO:	30-08040	REV:	C
ASSY. NO.:	80-08040	REV:	C
REVISED BY:	E. PETERSEN	DATE:	25AUG05

