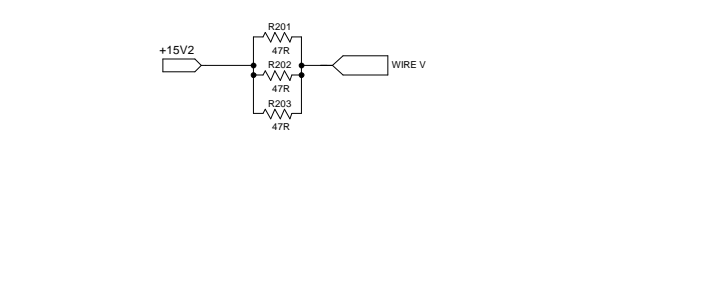
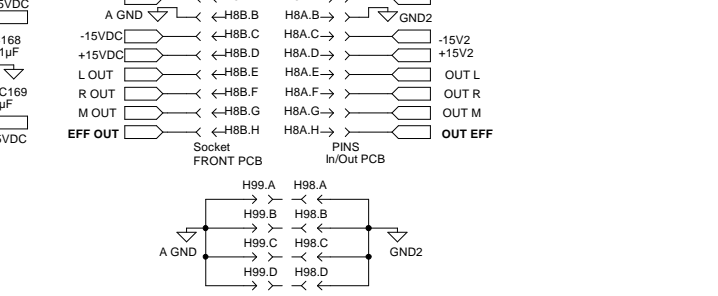
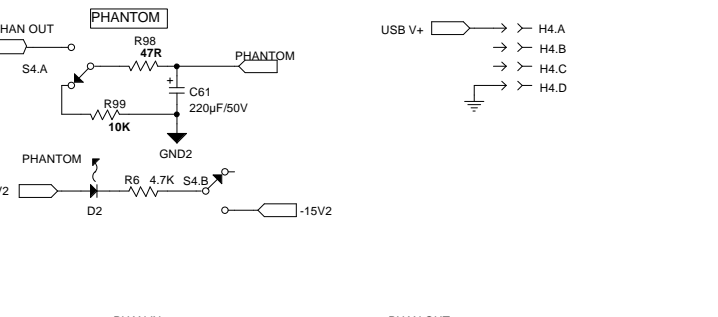
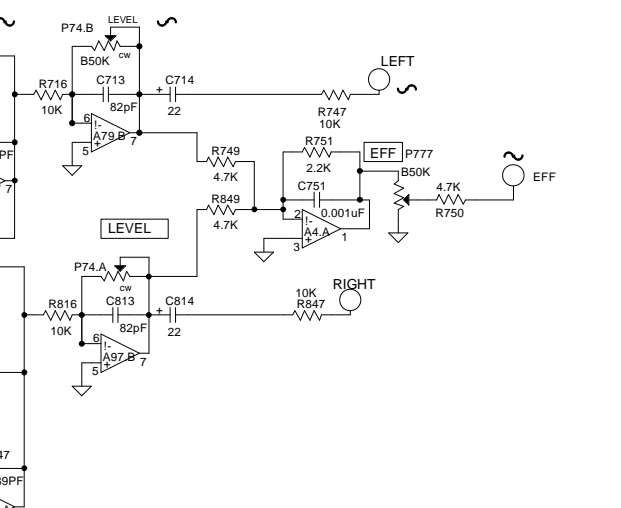
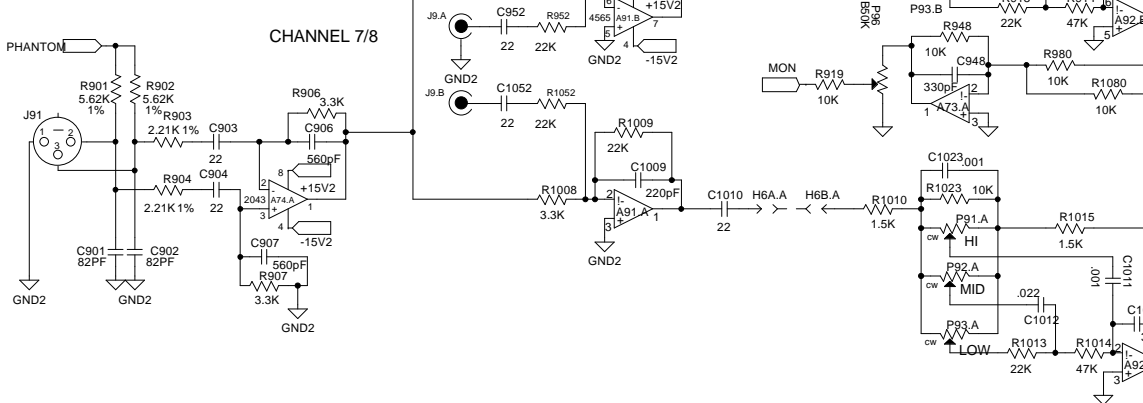
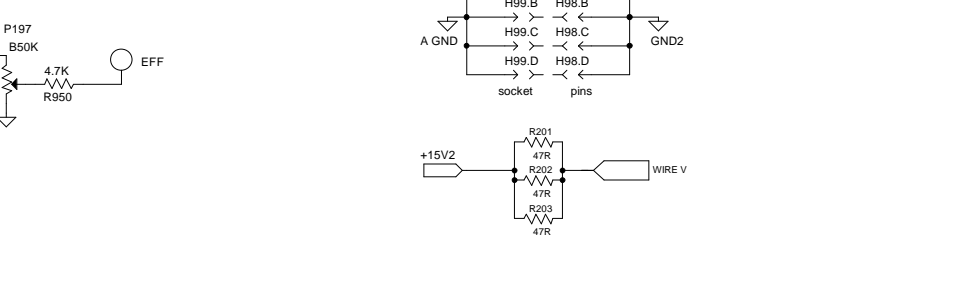
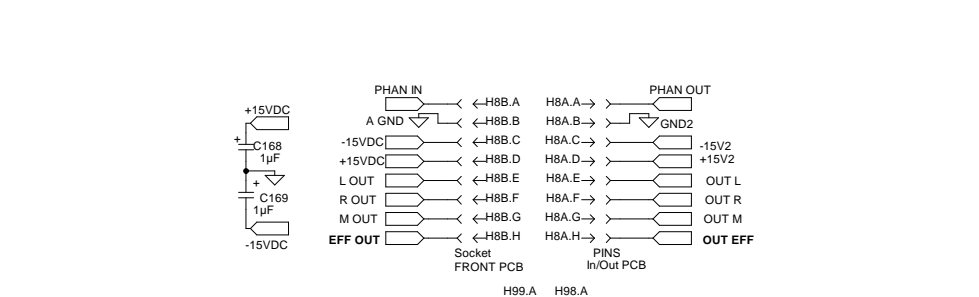
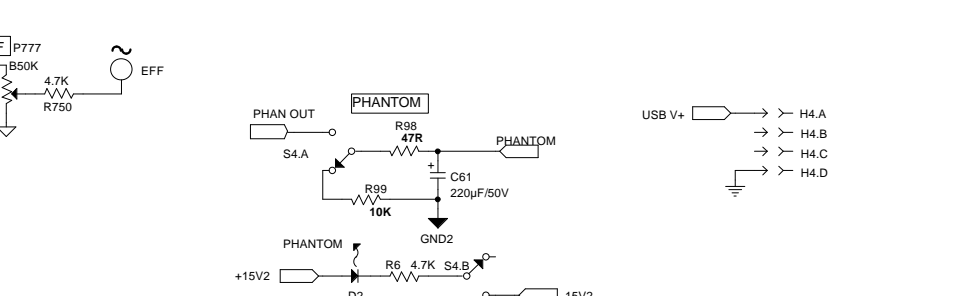
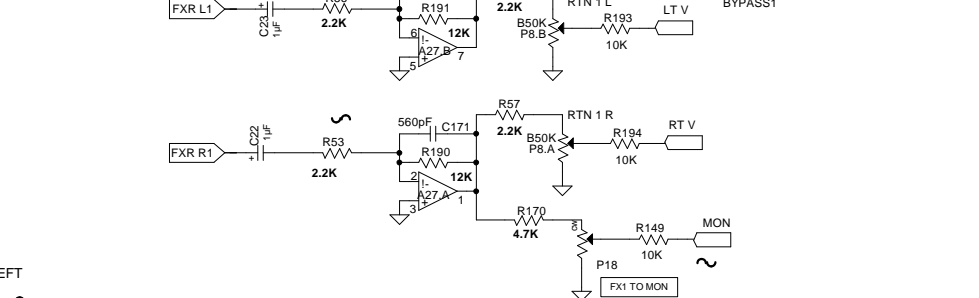
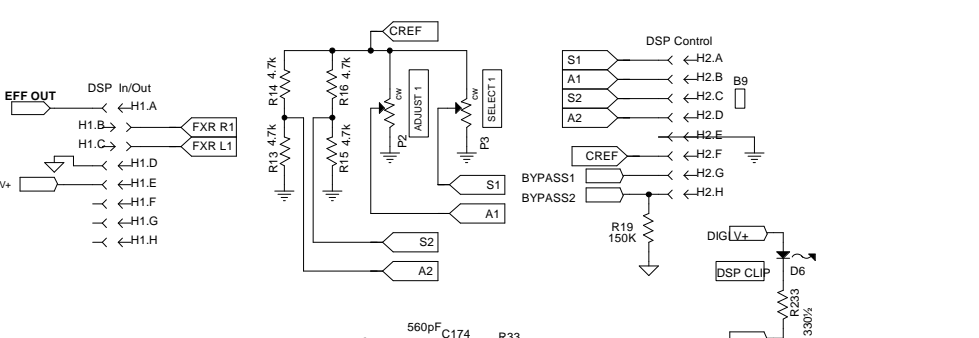
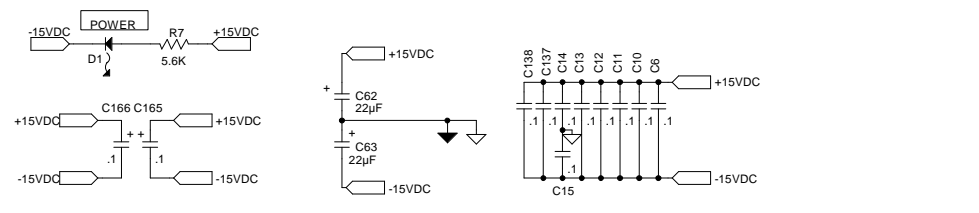
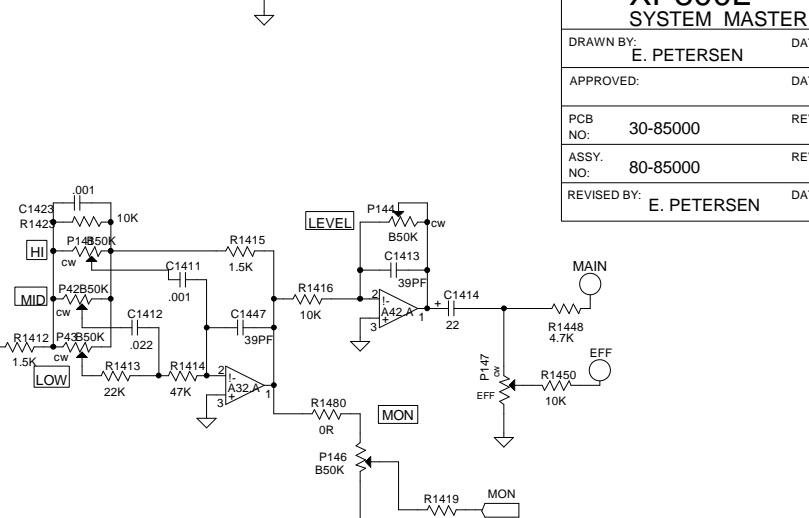
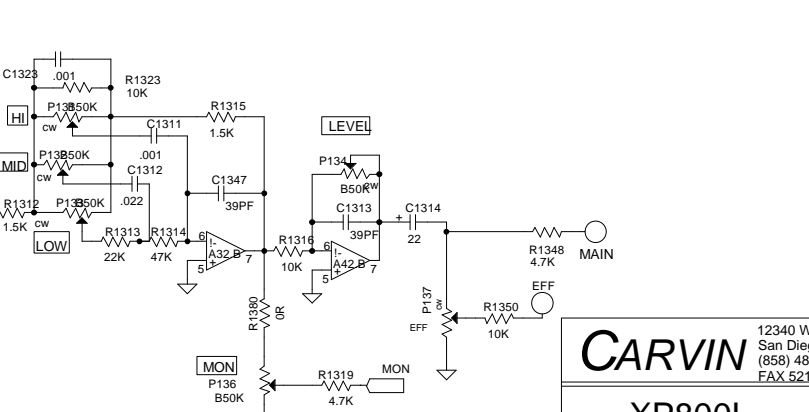
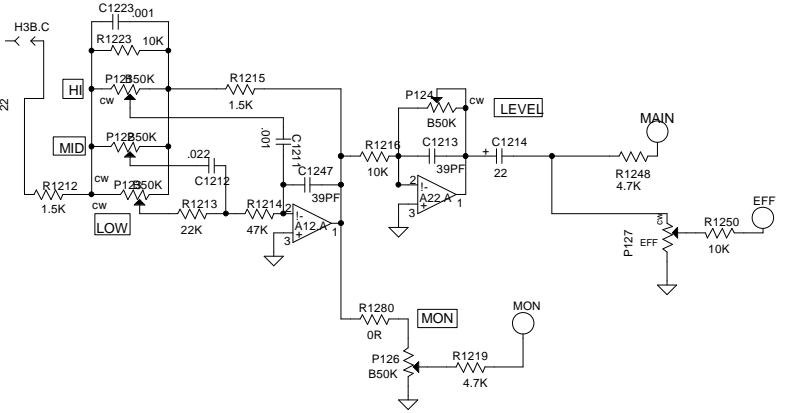
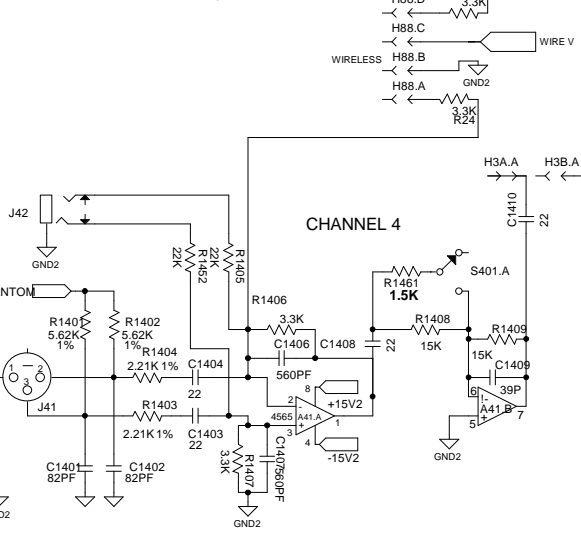
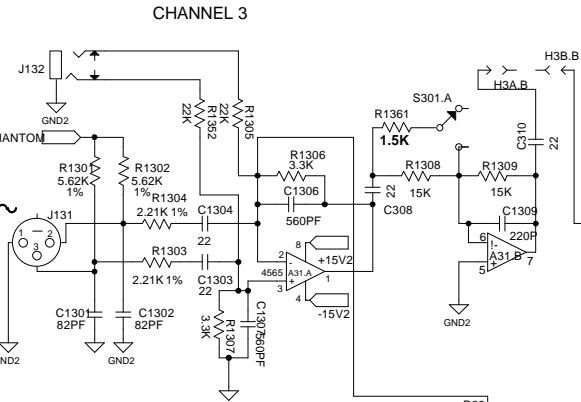
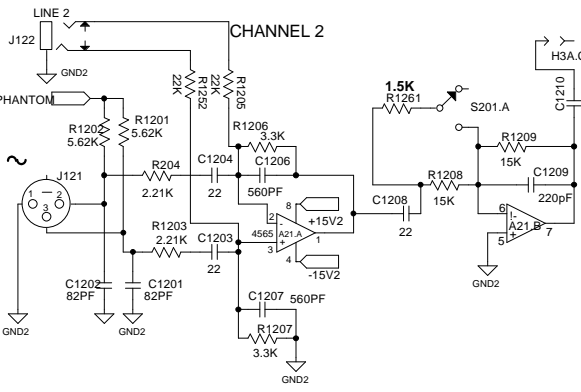
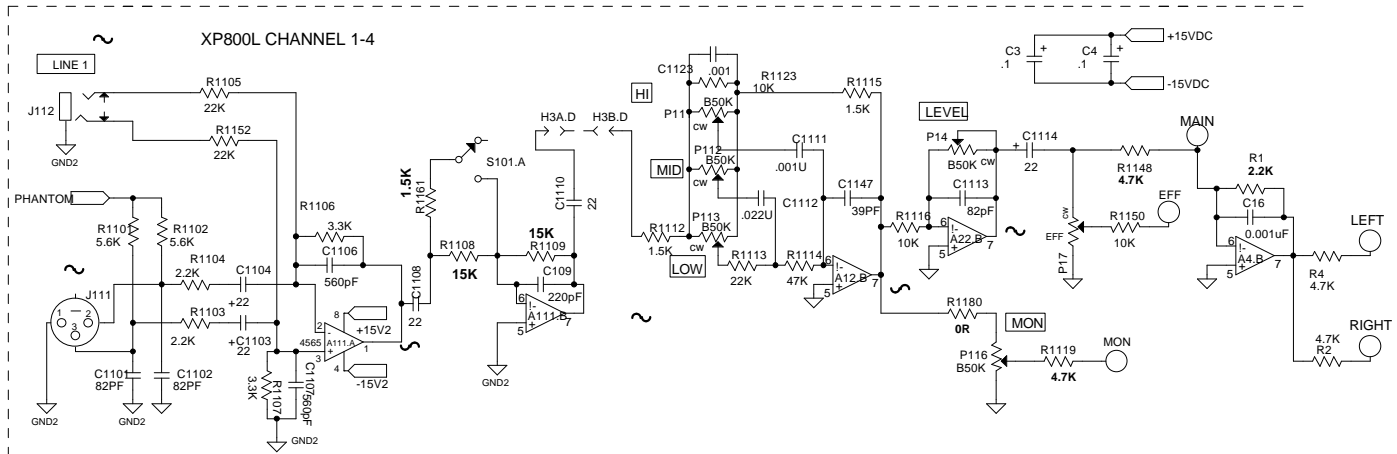


- 6. A12 IS TYPE 4565 OP AMP.
- 5. A1, A74 IS TYPE 2043 OP AMP.
- 4. ALL RESISTORS IN OHMS.
- 3. ALL CAPACITORS IN MICROFARADS, EXCEPT AS NOTED
- 2. ALL DIODES ARE TYPE 1N4003 EXCEPT AS NOTED.
- 1. ALL GROUNDS ARE A EXCEPT AS NOTED.

NOTES: UNLESS OTHERWISE SPECIFIED

CARVIN		12340 World Trade Drive San Diego, CA 92128 (858) 487-1600 FAX 521-6032	
XP800L SYSTEM MASTER			
DRAWN BY:	E. PETERSEN	DATE:	10JUN09
APPROVED:		DATE:	
PCB NO.:	30-85000	REV.:	B
ASSY. NO.:	80-85000	REV.:	B
REVISED BY:	E. PETERSEN	DATE:	24SEP09





CARVIN 12340 World Trade Drive
San Diego, CA 92128
(858) 487-1600
FAX 521-6032

**XP800L
SYSTEM MASTER**

DRAWN BY: E. PETERSEN	DATE: 10JUN09
APPROVED:	DATE:
PCB NO: 30-85000	REV: B
ASSY. NO: 80-85000	REV: B
REVISED BY: E. PETERSEN	DATE: 24SEP09

