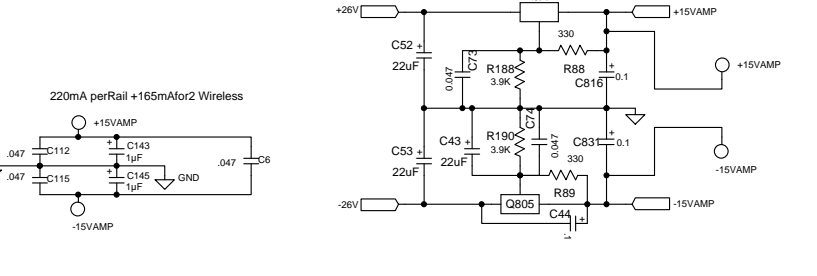
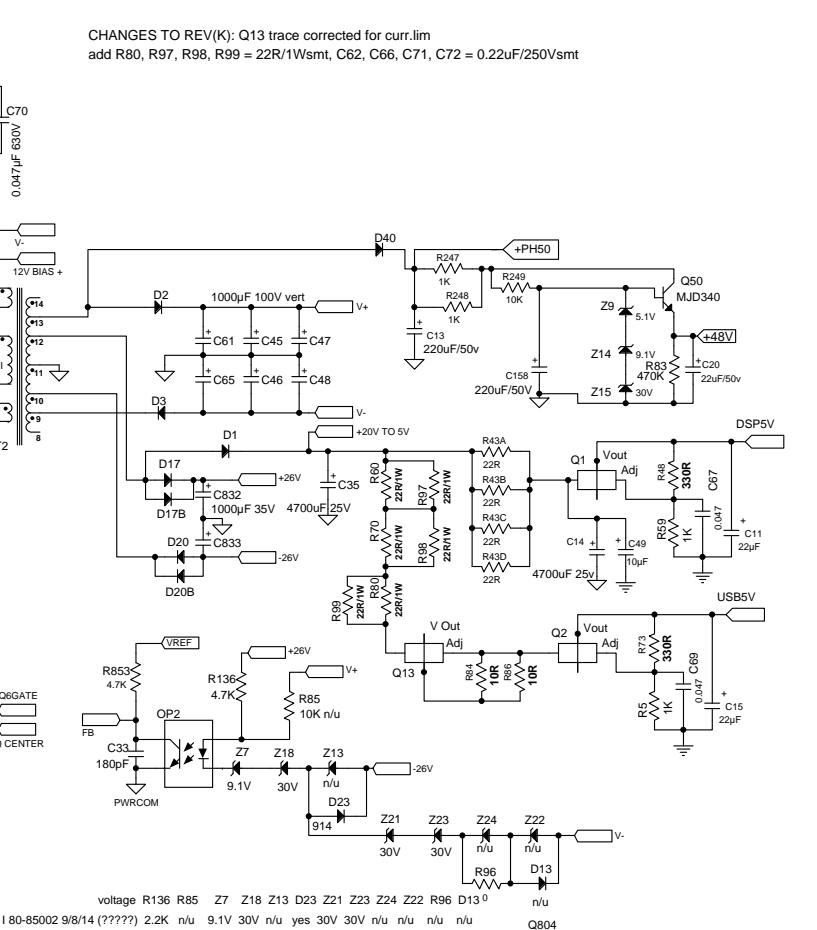
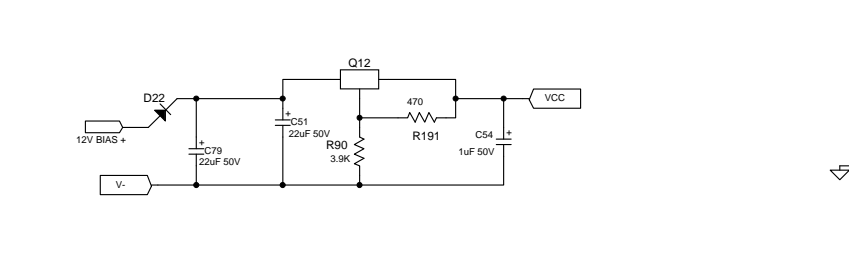
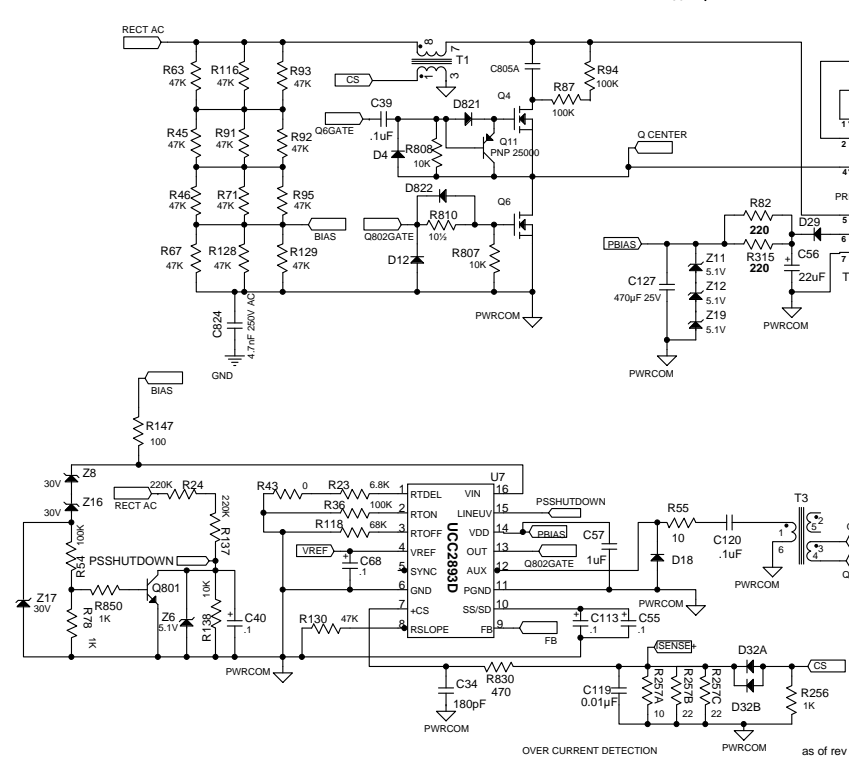
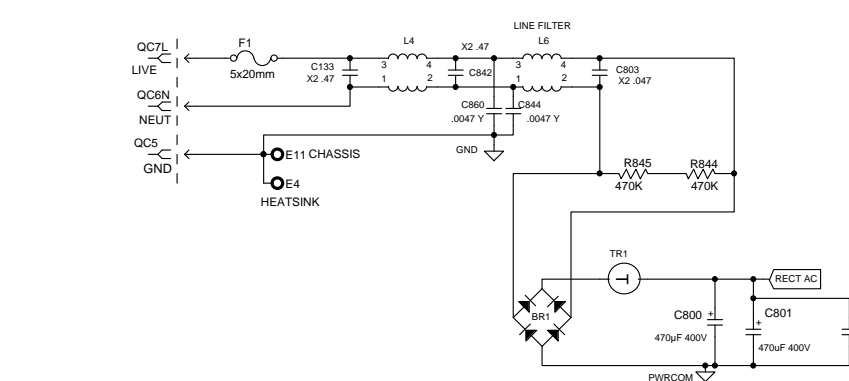
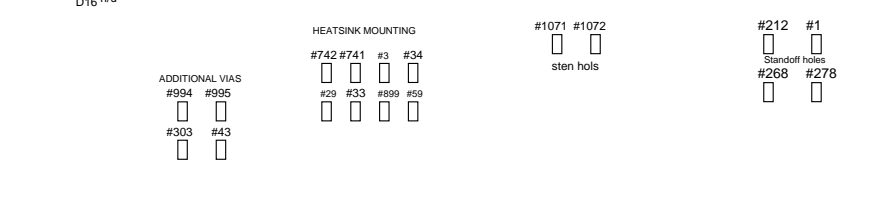
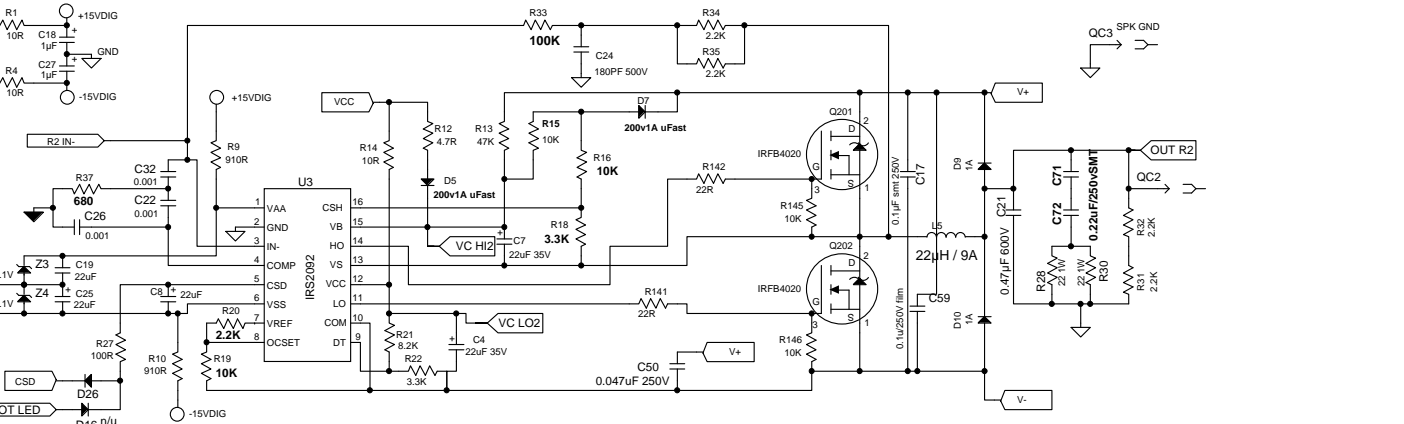
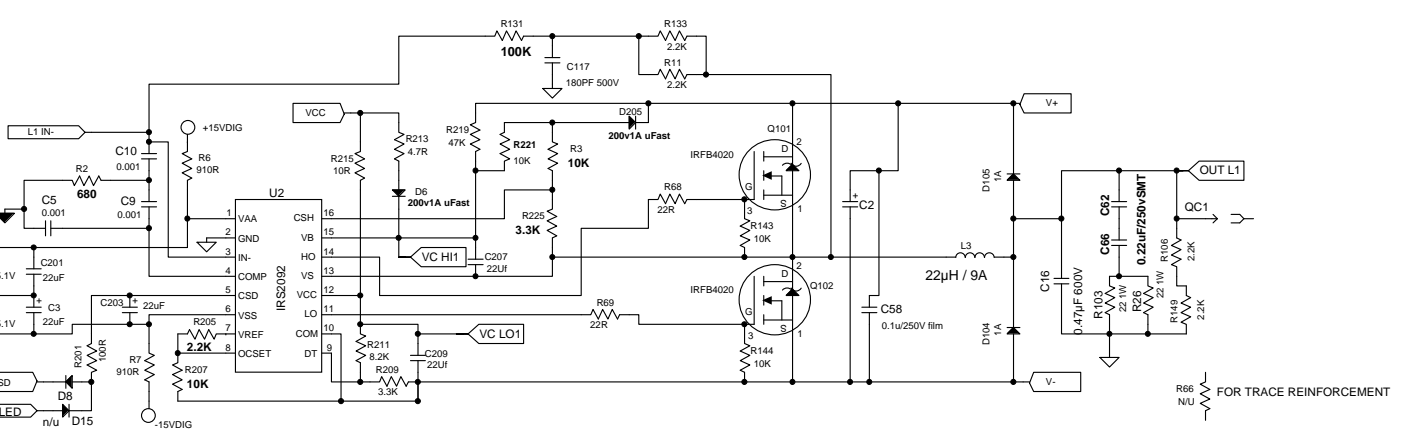
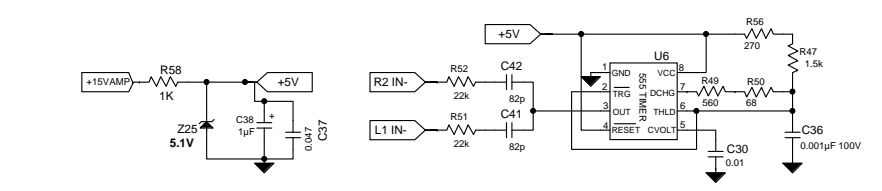


**CARVIN** 12340 World Trade Drive  
San Diego, CA 92128  
(858) 487-1600  
FAX 487-6629

**XP800L Class D SERIES STEREO AMP**

DRAWN BY: E.PETERSEN	DATE: 20MAY09
APPROVED:	DATE:
PCB NO: 30-85002	REV: K
ASSY. NO: 80-85002	REV: K
REVISED BY: E. PETERSEN	DATE: 03JAN2017

- NOTES: UNLESS OTHERWISE SPECIFIED.
- ADDED AS SECONDARY OPERATION.
  - ALL DIODES ARE TYPE 1N4003, EXCEPT AS NOTED.
  - ALL CAPACITORS IN MICROFARADS, EXCEPT AS NOTED.
  - ALL RESISTORS IN OHMS
- CHANGES TO REV(G):
- Change Class-D clock to 7555 Timer IC
  - Open up holes for larger thermistor
- CHANGES TO REV(F):
- OP1 pin 1 to GND.
- CHANGES TO REV(E):
- IGBT PS.



- ADDITIONAL VIAS
- |      |      |
|------|------|
| #994 | #995 |
| #303 | #43  |
- HEATSINK MOUNTING
- |      |      |      |     |
|------|------|------|-----|
| #742 | #741 | #3   | #34 |
| #29  | #33  | #899 | #59 |
- #1071 #1072  
sten holes
- #1071 #1072  
Standoff holes
- |      |      |
|------|------|
| #268 | #278 |
|------|------|

CHANGES TO REV(K): Q13 trace corrected for curr.lim  
add R80, R97, R98, R99 = 22R/1Wsm, C62, C66, C71, C72 = 0.22uF/250Vsm