

CARVIN
 12340 World Trade Drive
 San Diego, CA 92128
 (858) 487-1600
 FAX 521-6032

**C1644 SERIES MIXER
 8 CHANNEL INPUT PCB**

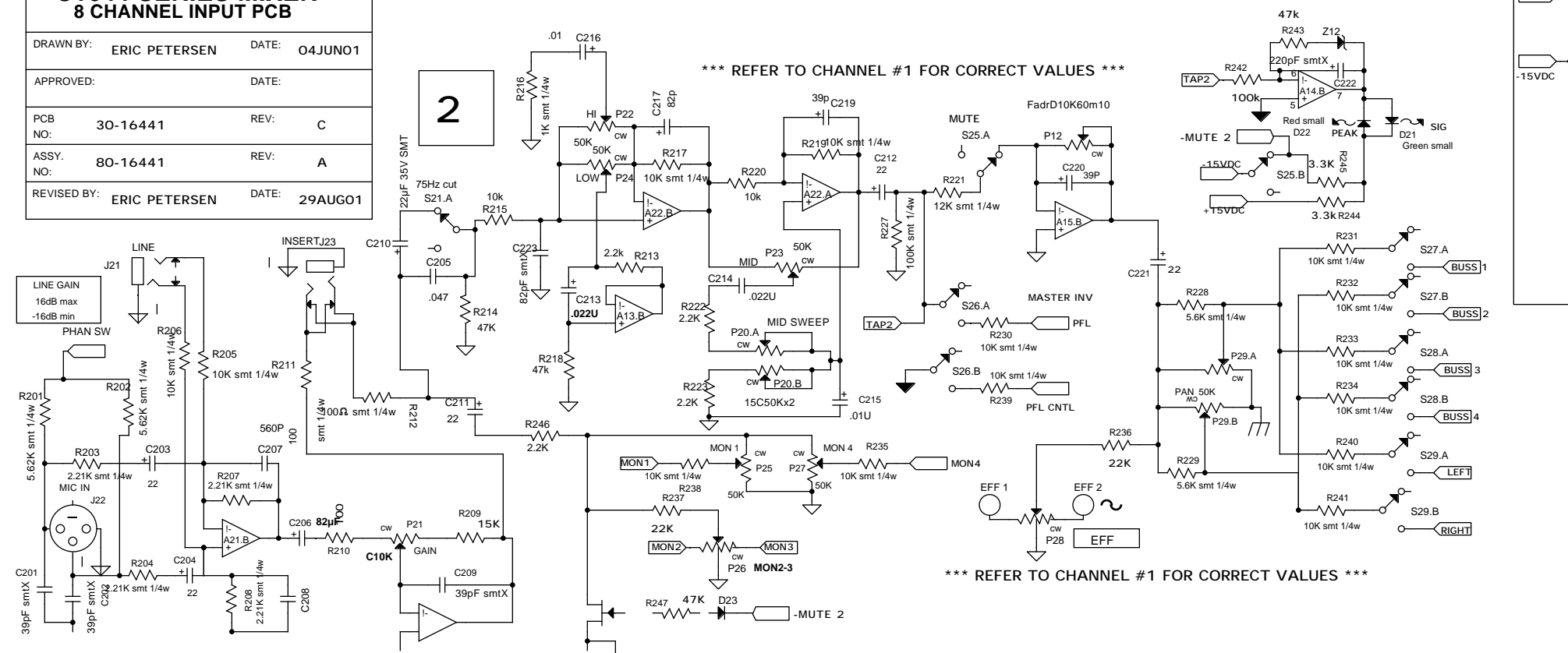
DRAWN BY: ERIC PETERSEN DATE: 04JUN01

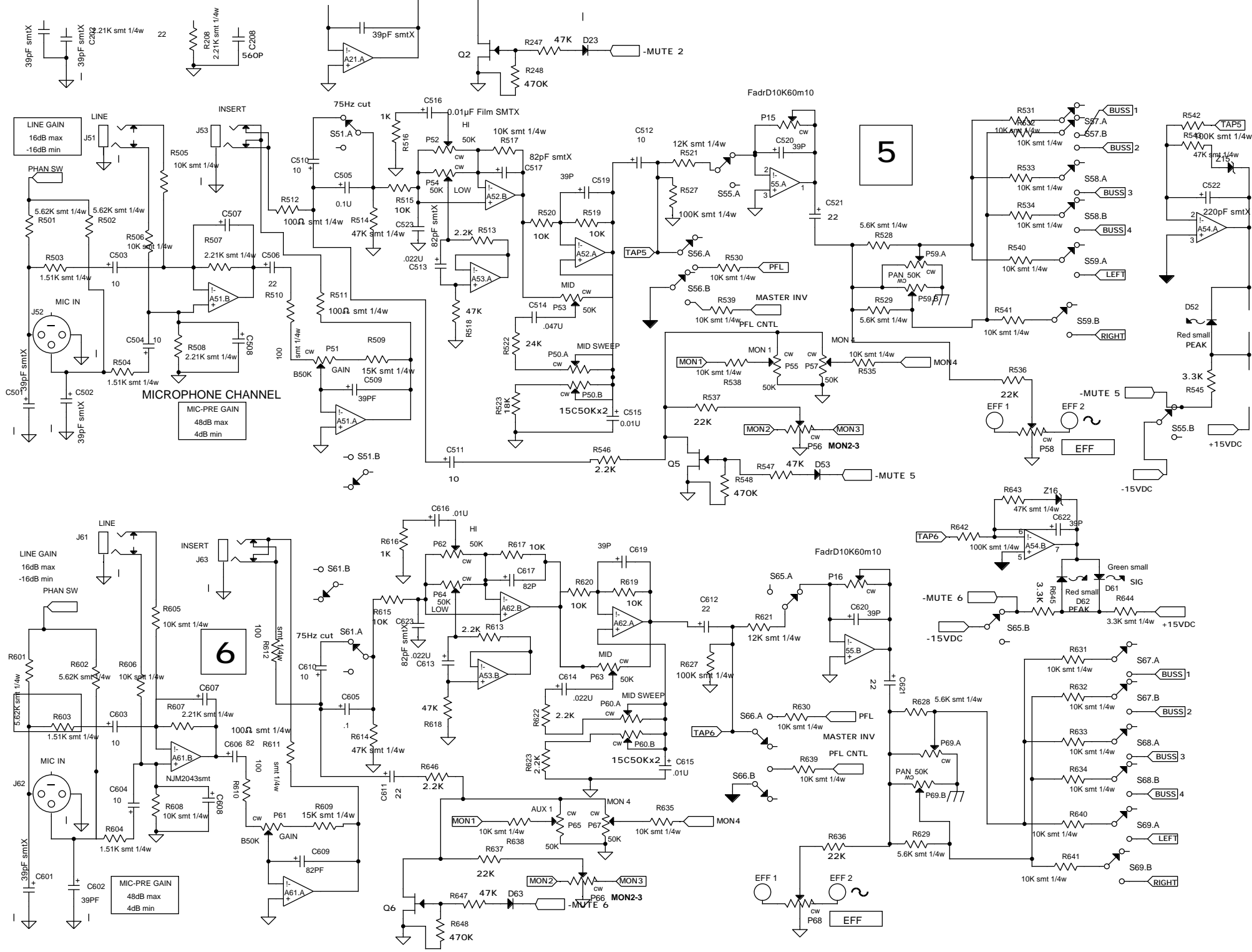
APPROVED: DATE:

PCB NO: 30-16441 REV: C

ASSY. NO: 80-16441 REV: A

REVISED BY: ERIC PETERSEN DATE: 29AUG01

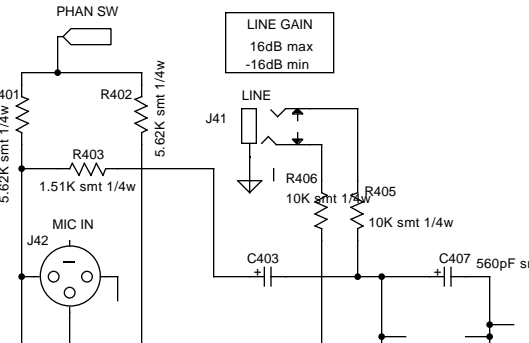
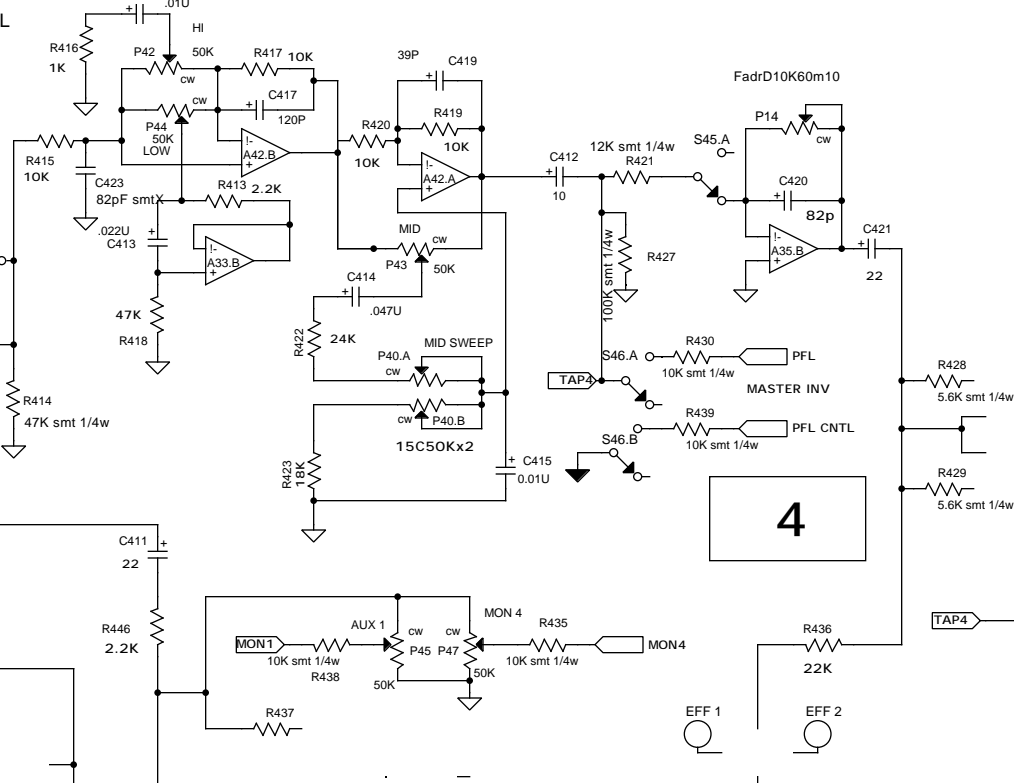
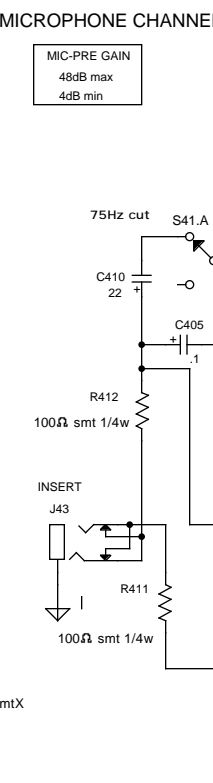
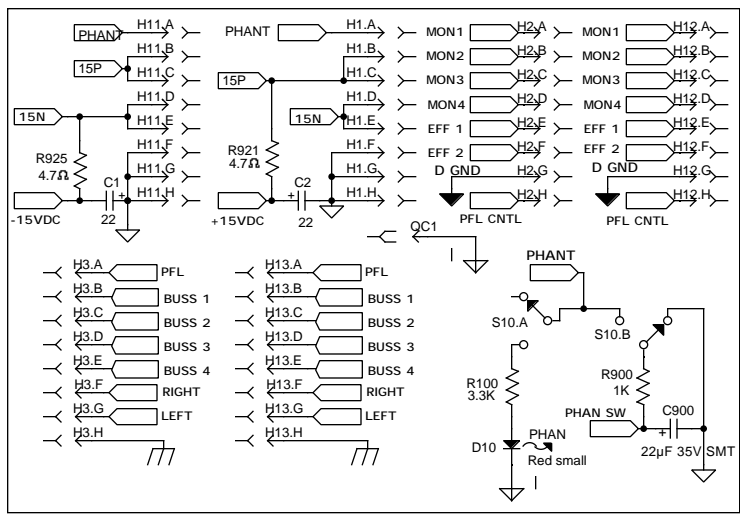
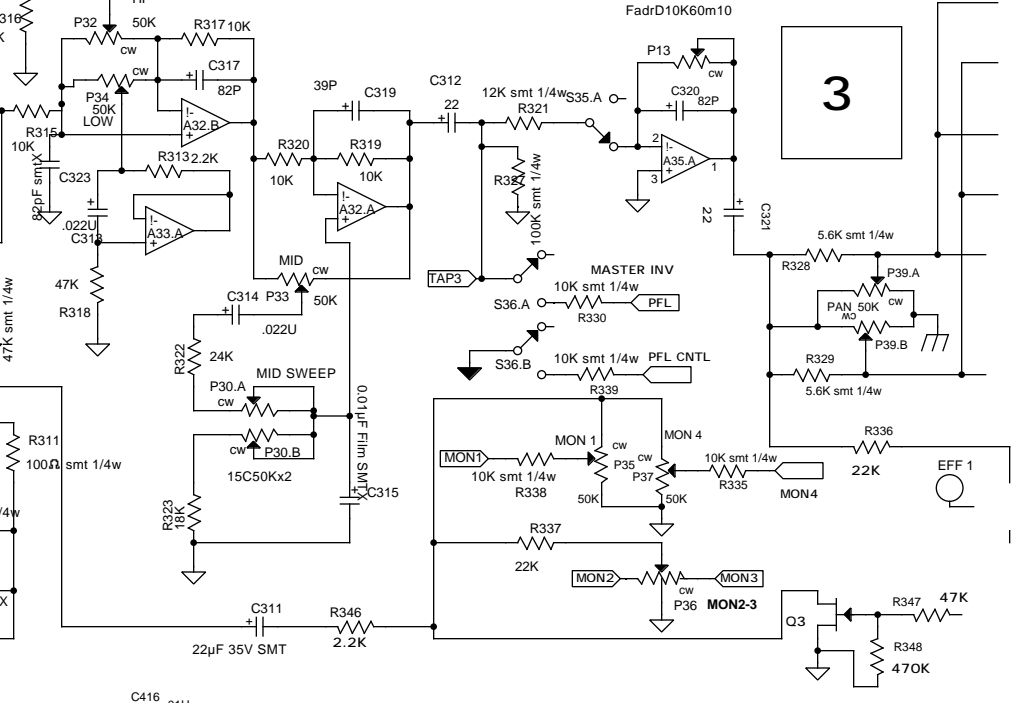
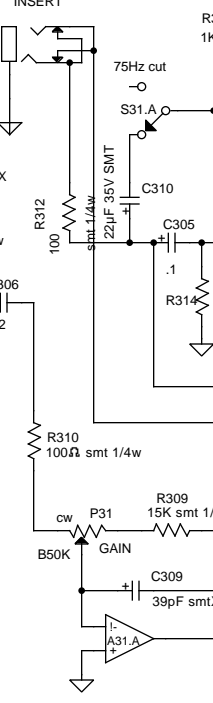
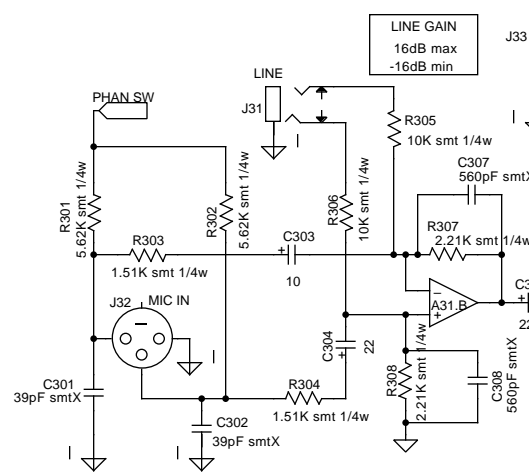
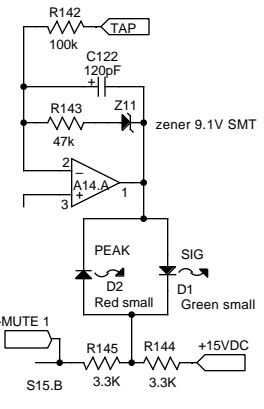


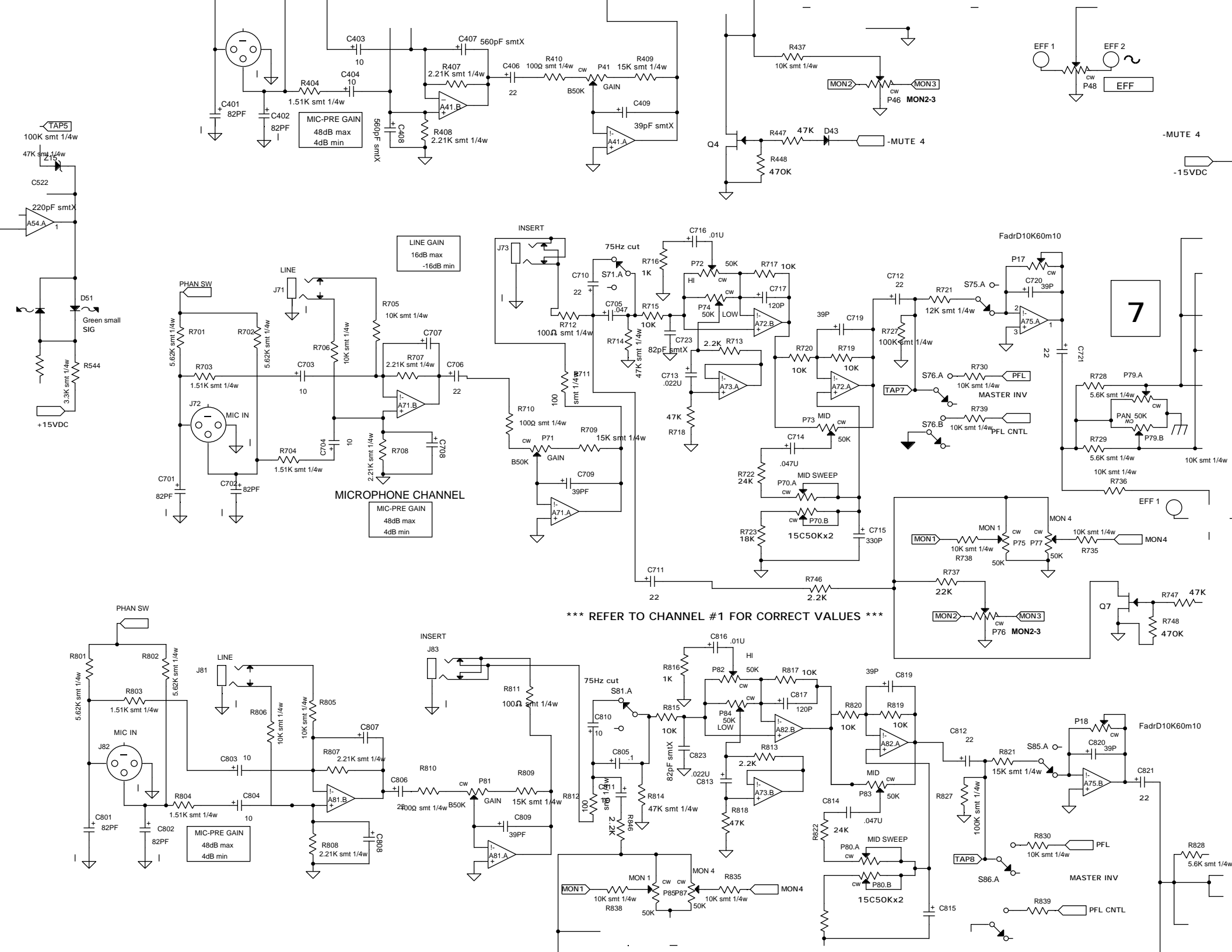


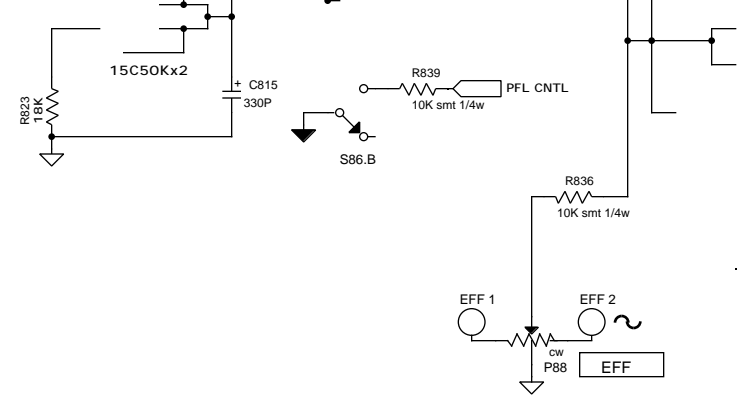
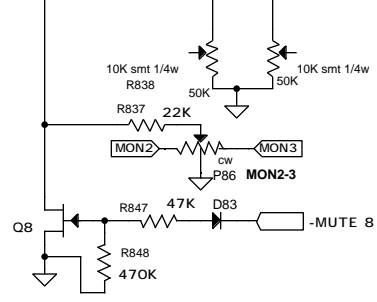
*** REFER TO CHANNEL #1 FOR CORRECT VALUES ***



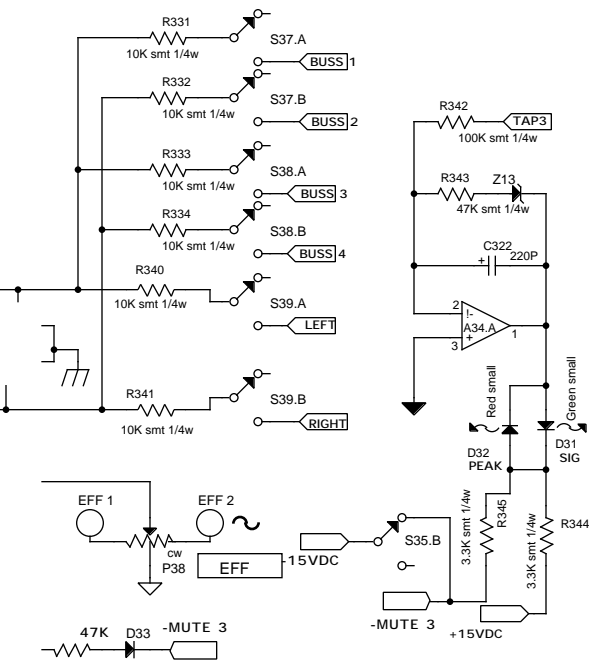
*** REFER TO CHANNEL #1 FOR CORRECT VALUES ***







-MUTE 8
-15VDC



470K

